

2023
Impreza



The Subaru Impreza. More than a car. It's a Subaru.





Getting there is important.
Being there is everything.

Wherever you go, experience it fully with the 2023 Impreza. Peace of mind is at its core, from standard Subaru EyeSight® Driver Assist Technology^{1,2} to the seamless connectivity delivered by SUBARU STARLINK® Multimedia—featuring standard Apple CarPlay® and Android Auto™ integration. Whether you choose the Impreza 5-door or the sedan, you can count on standard Subaru Symmetrical All-Wheel Drive and the reliable engineering that goes into every Subaru. The day is just beginning, and the only question is: Where will you go next?

¹ Requires Lineartronic® CVT. ² EyeSight is a driver assist technology, which may not operate optimally under all driving conditions. The driver is always responsible for safe and attentive driving. System effectiveness depends on many factors such as vehicle maintenance, weather and road conditions. See your Owner's Manual for complete details on system operations and limitations.

Every part is the fun part.

0 0 0 0

Long-Lasting

The Impreza is built to inspire trust. You can count on the Subaru Global Platform, built with high-strength steel for high crash-energy absorption. You also have the reliable SUBARU BOXER® engine with standard Subaru Symmetrical All-Wheel Drive. All are reasons why 94% of Subaru Impreza vehicles sold in the last 10 years are still on the road today, more than Honda Civic, Toyota Corolla, or Mazda3.¹



Safety-Focused

To help keep you and your passengers protected, the Impreza features standard EyeSight Driver Assist Technology,^{2,3} plus available systems including Blind-Spot Detection and Rear Cross-Traffic Alert.^{4,5} You can also add LED Steering Responsive Headlights with High Beam Assist to help maximize visibility.⁴ For even greater peace of mind, SUBARU STARLINK Safety and Security can connect you to help when you need it most.^{4,6}



Fuel-Efficient

Responsive power and exceptional fuel economy deliver extra fun without added cost. The Impreza achieves up to 36 highway MPG⁷ with standard Subaru Symmetrical All-Wheel Drive, thanks to its direct-injection SUBARU BOXER engine. Plus, it can go more than 450 miles on a full tank, making it that much easier to roam as you please.⁸



Well-Connected

Take your favorite content almost anywhere you go. The Impreza features SUBARU STARLINK Multimedia with standard Apple CarPlay® and Android Auto™ integration. For added convenience, available features include Remote Engine Start with Climate Control^{4,9} and STARLINK® Concierge Services.^{4,6}



1 Based on Experian Automotive vehicles in operation vs. total new registrations for MY2012–2021 as of December 2021. 2 Requires Lineartronic CVT. 3 EyeSight is a driver assist technology, which may not operate optimally under all driving conditions. The driver is always responsible for safe and attentive driving. System effectiveness depends on many factors such as vehicle maintenance, weather and road conditions. See your Owner's Manual for complete details on system operations and limitations. 4 Availability varies by trim level. See your retailer for details. 5 Blind-Spot Detection, Lane Change Assist and Rear Cross-Traffic Alert are systems designed to assist the driver by monitoring the rear and side areas of the vehicle during a lane change or reversing and are not a substitute for safe and attentive driving. 6 Activation with subscription required. Includes a 3-year trial subscription to Safety Plus services and a 6-month trial subscription to Safety and Security Plus services. The Concierge plan can be purchased annually or monthly. A credit card on file will be required for specific packages and for renewal purposes. Not available in all states. See your retailer for details. 7 EPA-estimated fuel economy for 2023 Impreza Sedan trim levels with Lineartronic CVT at 36 highway MPG. Actual mileage may vary. 8 Driving range based on a 13.2-gallon fuel tank capacity and EPA-estimated highway fuel economy for 2023 Subaru Impreza trim levels equipped with Lineartronic CVT. Actual driving range may vary. 9 Requires Keyless Access with Push-Button Start and subscription to STARLINK Safety and Security Plus services. 6-month free trial included. Climate Control on Limited trim levels only. Not available in all states. See your retailer for details.

Impreza Sport 5-door in Crystal White Pearl with optional equipment.



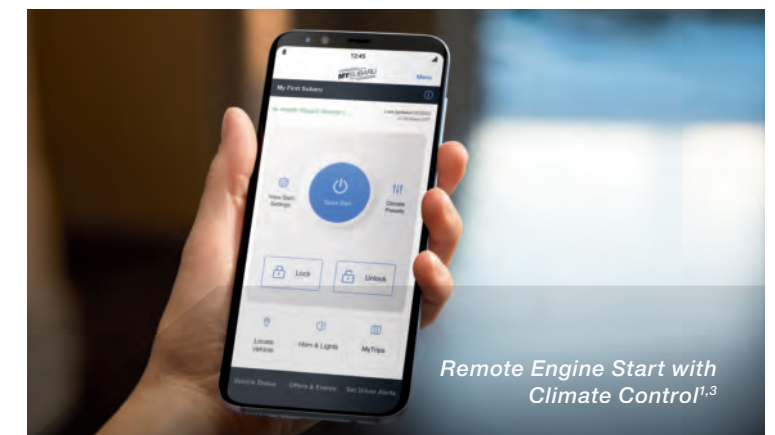
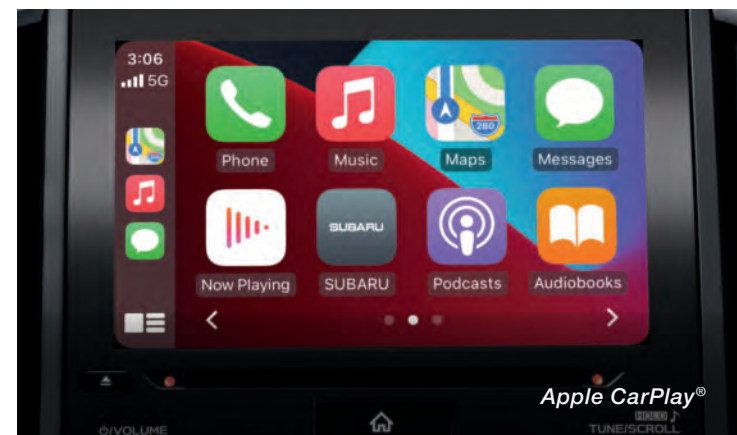
Impreza Limited with Ivory Leather and optional equipment.

5 | 2023 Impreza

1 Availability varies by trim level. See your retailer for details. 2 All SiriusXM services require a subscription, sold separately by SiriusXM after the trial period. Your SiriusXM service will automatically stop at the end of your trial unless you decide to subscribe. If you decide to continue service, the subscription plan chosen will automatically renew and be charged according to your chosen payment method at the then-current rates. Fees and taxes apply. See the SiriusXM Customer Agreement & Privacy Policy at www.siriusxm.com for full terms and how to cancel, which includes online methods or calling 1-866-635-2349. Available in the 48 contiguous United States, D.C., and Puerto Rico (with coverage limits and capable receiver). Visit <http://www.siriusxm.com/FAQS> for most current service area information. Availability of some services and features is subject to device capabilities and location restrictions. All fees, content and features are subject to change. SiriusXM, Pandora and all related logos are trademarks of Sirius XM Radio Inc. and its respective subsidiaries. 3 Requires Keyless Access with Push-Button Start and subscription to STARLINK Safety and Security Plus services. 6-month free trial included. Climate Control on Limited trim levels only. Not available in all states. See your retailer for details. 4 Activation with subscription required. Includes a 3-year trial subscription to Safety Plus services and a 6-month trial subscription to Safety and Security Plus services. The Concierge plan can be purchased annually or monthly. A credit card on file will be required for specific packages and for renewal purposes. Not available in all states. See your retailer for details.

High-Tech Cabin

Come on in and play. The Impreza makes it easy to bring along your music and apps, thanks to SUBARU STARLINK Multimedia with standard Apple CarPlay® and Android Auto™ integration. For even greater possibilities, there's an available voice-activated navigation system powered by TomTom®, featuring an easy-to-use 8.0-inch touchscreen¹ and access to SiriusXM.² There are also conveniences designed to make life easier even before you get in—from Keyless Access with Push-Button Start¹ to Remote Engine Start with Climate Control, which lets you set the perfect temperature from your smartphone.^{1,3} STARLINK Concierge Services can help with tasks like navigation, restaurant reservations and service appointments.⁴ With the available 8-speaker 432-watt-equivalent Harman Kardon® premium audio system, you can hear how your music was intended to sound.¹



Remote Engine Start with Climate Control^{1,3}



7 | 2023 Impreza

Room to push limits.

Customizable Space and Comfort

In the spacious Impreza, possibilities are always invited. Enjoy up to 99.8¹ cubic feet of passenger space in the sedan and up to 100.9² cubic feet in the 5-door. Both body styles include large cargo areas, and the 5-door provides a wide rear gate opening for added convenience. Plus, you can adjust the 60/40-split flat-folding rear seatback in an instant to accommodate longer items and a rear passenger on the same trip. The Impreza also includes available features such as extra USB ports for charging, a 6-way power driver seat, heated front seats, and a leather-trimmed steering wheel, shift knob and seats.² Comfort is further enhanced by available automatic climate control.²

Impreza Sport 5-door with Black Sport Cloth and optional equipment.

¹ Without available power moonroof. ² Availability varies by trim level. See your retailer for details.



Subaru has earned more **IIHS TOP SAFETY PICK+** awards than any other brand since 2013 as of May 2022.

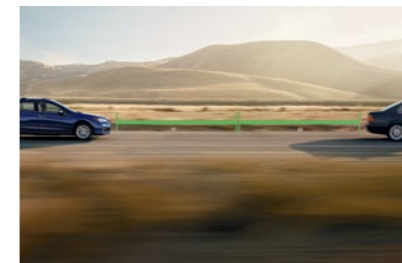


An extra set of eyes **every time you drive.**



Pre-Collision Braking

A driver ahead unexpectedly hits the brakes or cuts you off. EyeSight¹ warns you, applies the brakes and, at lower speeds, can even help you stop your Impreza.



Adaptive Cruise Control

Traffic doesn't always flow smoothly. EyeSight can keep a set speed, look ahead and help your Impreza automatically adjust to keep your distance, even in stop-and-go traffic.



Lane Departure and Sway Warning with Lane Keep Assist

You accidentally drift to the edge of your lane and begin to cross into another. EyeSight watches for lane markers and chimes to warn you before you leave your lane, and it can even help steer you back into your proper course, thanks to Lane Keep Assist.



Pre-Collision Throttle Management

This system reduces power to your engine to help you avoid accidentally accelerating into the car in front of you while merging, or if you unintentionally put your Impreza in Drive instead of Reverse.

Impreza Limited 5-door in Sapphire Blue Pearl with optional equipment.

¹ EyeSight is a driver assist technology, which may not operate optimally under all driving conditions. The driver is always responsible for safe and attentive driving. System effectiveness depends on many factors such as vehicle maintenance, weather and road conditions. See your Owner's Manual for complete details on system operation and limitations.

Thinking ahead.
Even before you do.

Enhanced Safety

Ready for whatever may come, the Impreza offers peace of mind with innovative systems like SUBARU STARLINK Safety and Security,^{1,2} which includes Advanced Automatic Collision Notification. You'll have extra awareness with the standard Rear-Vision Camera, strong protection with the rigid Ring-shaped Reinforcement Frame, and reassurance with seven standard airbags.³ You can also opt for LED Steering Responsive Headlights with High Beam Assist² to help maximize visibility.



Impreza Sport 5-door in Lithium Red Pearl with optional equipment.



Blind-Spot Detection

Using radar sensors, Blind-Spot Detection^{2,4} warns you with a visual indicator on your exterior mirror if it senses a vehicle in your blind spot. Another feature of this system, Lane Change Assist, alerts you with a flashing indicator on your exterior mirror if it senses a vehicle approaching at a higher speed in a neighboring lane and you signal for a lane change.



Rear Cross-Traffic Alert

Rear Cross-Traffic Alert^{2,4} uses radar sensors to help warn you of traffic approaching from the side as you are backing up, utilizing a flashing visual indicator on your exterior mirror and Rear-Vision Camera display as well as an audible warning.



Reverse Automatic Braking

Reverse Automatic Braking^{2,5} can detect objects directly behind your vehicle when backing up at a low speed and can help bring the Impreza to a stop if it detects an object within its range and the brakes have yet to be applied. There's also the Rear-Vision Camera to help you keep an eye out.



SUBARU STARLINK Safety and Security

The Impreza features STARLINK Safety and Security,^{1,2} which can alert a first responder in an emergency, help police locate your vehicle if it's stolen and more. To get you started, new Impreza drivers enjoy a free three-year STARLINK Safety Plus subscription, which includes Advanced Automatic Collision Notification, Enhanced Roadside Assistance, SOS Emergency Assistance and more.

1 Activation with subscription required. Includes a 3-year trial subscription to Safety Plus services and a 6-month trial subscription to Safety and Security Plus services. The Concierge plan can be purchased annually or monthly. A credit card on file will be required for specific packages and for renewal purposes. Not available in all states. See your retailer for details. 2 Availability varies by trim level. See your retailer for details. 3 Always wear seatbelts. Children should be properly restrained in the rear seat. 4 Blind-Spot Detection, Lane Change Assist and Rear Cross-Traffic Alert are systems designed to assist the driver by monitoring the rear and side areas of the vehicle during a lane change or reversing and are not a substitute for safe and attentive driving. 5 The Reverse Automatic Braking System is not a substitute for safe and attentive driving. System effectiveness depends on many factors, such as vehicle maintenance, weather and road conditions. Always exercise caution and use vehicle mirrors and the Rear-Vision Camera when backing up. See your Owner's Manual for complete details on system operation and limitations.



94% of Subaru Impreza vehicles sold in the last 10 years are still on the road today, more than Honda Civic, Toyota Corolla, or Mazda3.¹



According to Forbes, Subaru is among the **Top 10 Brands consumers love.**²



Subaru is Kelley Blue Book's **Most Trusted Brand** for eight years running.³



2023 Impreza | Trim Levels



Impreza Sedan and 5-Door

- 152-hp 2.0-liter 4-cylinder SUBARU BOXER engine with direct injection
- Subaru Symmetrical All-Wheel Drive
- 5-speed manual transmission or optional Lineartronic CVT (Continuously Variable Transmission)
- 16-inch steel wheels with covers
- Cloth upholstery
- Black simulated carbon fiber finish interior accent trim
- 6-way manually adjustable driver seat and 4-way manually adjustable front-passenger seat

- Driver and front-passenger auto-up/down power windows
- Automatic power door locks
- SUBARU STARLINK 6.5-inch Multimedia with Apple CarPlay[®] and Android Auto[™] integration, high-resolution LCD touchscreen display, 4 speakers, AM/FM stereo, USB input port, Bluetooth[®] audio streaming and hands-free phone connectivity, and 3.5-mm auxiliary jack
- Manually adjustable air conditioning with air filtration
- Electronic cruise control
- Rear-Vision Camera



Impreza Premium Sedan and 5-Door

Includes Impreza key features and adds:

- EyeSight Driver Assist Technology⁵
- Lineartronic CVT (Continuously Variable Transmission) with 7-speed manual-mode and paddle shifters
- SI-DRIVE engine performance management system
- 16-inch alloy wheels
- Halogen fog lights
- Roof rails in silver finish (5-door)
- Body-color exterior mirrors
- All-Weather Package: Heated exterior mirrors, dual-mode heated front seats, windshield wiper de-icer

- STARLINK Safety and Security enabled⁶: includes features and services such as Advanced Automatic Collision Notification and Concierge Services
- Auto-on/off headlights
- Welcome lighting
- Cargo-area cover (5-door)
- SUBARU STARLINK 6.5-inch Multimedia Plus with Apple CarPlay[®] and Android Auto[™] integration, SiriusXM[®] including 4-month Platinum Plan and SiriusXM[®] Travel Link[®] trial, high-resolution LCD touchscreen display, 6 speakers, AM/FM/CD player, HD Radio[®], dual USB input ports, Bluetooth[®] audio streaming and hands-free phone connectivity, and 3.5-mm auxiliary jack
- High-grade instrument cluster with color LCD display



Impreza Sport Sedan and 5-Door⁸

Includes Impreza Premium key features and adds:

- 5-speed manual transmission with short throw shifter (5-door)⁹ or optional Lineartronic CVT (Continuously Variable Transmission)
- Active Torque Vectoring
- Sport-tuned suspension
- 18-inch alloy wheels
- Body-color exterior mirrors with integrated turn signals
- Trunk spoiler (sedan)
- Body-color side rocker spoilers
- LED Daytime Running Lights
- Active grille shutter

- Sport cloth interior with red stitching
- Leather-wrapped steering wheel and leather-wrapped¹⁰ automatic shifter handle with red stitching
- Gray simulated carbon fiber finish interior accent trim
- SUBARU STARLINK 8.0-inch Multimedia Plus with Apple CarPlay[®] and Android Auto[™] integration, SiriusXM[®] including 4-month Platinum Plan and SiriusXM[®] Travel Link[®] trial, high-resolution LCD touchscreen display, 6 speakers, AM/FM/CD player, HD Radio[®], dual USB input ports, Bluetooth[®] audio streaming and hands-free phone and text messaging connectivity, and 3.5-mm auxiliary jack
- Dual USB charge ports (center console)
- Keyless Access with Push-Button Start
- Sport instrument cluster with color LCD display
- 6.3-inch color multifunction display



Impreza Limited 5-Door

Includes Impreza Premium key features and adds:

- Blind-Spot Detection and Rear Cross-Traffic Alert¹¹
- Reverse Automatic Braking¹²
- 17-inch alloy wheels
- LED Steering Responsive Headlights
- LED fog lights
- Body-color exterior mirrors with integrated turn signals
- Active grille shutter
- 6-way power-adjustable driver seat
- Leather-trimmed upholstery
- Leather-wrapped steering wheel and shifter handle with silver stitching

- Shifter handle with leather boot and gloss black trim
- Silver metallic simulated carbon fiber finish interior accent trim
- Automatic climate control system with air filtration
- Keyless Access with Push-Button Start
- SUBARU STARLINK 8.0-inch Multimedia Plus with Apple CarPlay[®] and Android Auto[™] integration, SiriusXM[®] including 4-month Platinum Plan and SiriusXM[®] Travel Link[®] trial, high-resolution LCD touchscreen display, 6 speakers, AM/FM/CD player, HD Radio[®], dual USB input ports, Bluetooth[®] audio streaming and hands-free phone and text messaging connectivity, and 3.5-mm auxiliary jack
- Dual USB charge ports (center console)
- 6.3-inch color multifunction display

¹ Based on Experian Automotive vehicles in operation vs. total new registrations for MY2012–2021 as of December 2021. ² Based on Forbes 2022 Halo 100, powered by HundredX. ³ 2015–2022 Kelley Blue Book Brand Image Awards are based on the Brand Watch™ study from Kelley Blue Book. Award calculated among non-luxury shoppers. For more information, visit www.kbb.com. Kelley Blue Book is a registered trademark of Kelley Blue Book Co., Inc. ⁴ The 2022 IIHS TOP SAFETY PICK applies to 2022 Subaru Impreza Limited 5-door models only. ⁵ Requires Lineartronic CVT. EyeSight is a driver assist technology, which may not operate optimally under all driving conditions. The driver is always responsible for safe and attentive driving. System effectiveness depends on many factors such as vehicle maintenance, weather and road conditions. See your Owner's Manual for complete details on system operations and limitations. ⁶ Activation with subscription required. Includes a 3-year trial subscription to Safety Plus services and a 6-month trial subscription to Safety and Security Plus services. The Concierge plan can be purchased annually or monthly. A credit card on file will be required for specific packages and for renewal purposes. Not available in all states. See your retailer for details. ⁷ All SiriusXM services require a subscription, sold separately by SiriusXM after the trial period. Your SiriusXM service will automatically stop at the end of your trial unless you decide to subscribe. If you decide to continue service, the subscription plan chosen will automatically renew and be charged according to your chosen payment method at the then-current rates. Fees and taxes apply. See the SiriusXM Customer Agreement & Privacy Policy at www.siriusxm.com for full terms and how to cancel, which includes online methods or calling 1-866-635-2349. Available in the 48 contiguous United States, D.C., and Puerto Rico (with coverage limits and capable receiver). Visit <http://www.siriusxm.com/FAQS> for most current service area information. Availability of some services and features is subject to device capabilities and location restrictions. All fees, content and features are subject to change. SiriusXM, Pandora and all related logos are trademarks of Sirius XM Radio Inc. and its respective subsidiaries. ⁸ SI-DRIVE requires Lineartronic CVT. Roof rails not available on Impreza Sport 5-door trim levels. ⁹ Not available on Sport sedan trim levels. See your retailer for details. ¹⁰ Requires Lineartronic CVT. ¹¹ Blind-Spot Detection, Lane Change Assist and Rear Cross-Traffic Alert are systems designed to assist the driver by monitoring the rear and side areas of the vehicle during a lane change or reversing and are not a substitute for safe and attentive driving. ¹² The Reverse Automatic Braking System is not a substitute for safe and attentive driving. System effectiveness depends on many factors, such as vehicle maintenance, weather and road conditions. Always exercise caution and use vehicle mirrors and the Rear-Vision Camera when backing up. See your Owner's Manual for complete details on system operation and limitations.

2023 Impreza | Specifications

Engine and Drivetrain		Impreza	Impreza Sport
Engine Power Torque	2.0-liter DOHC direct-injection aluminum-alloy 16-valve horizontally opposed 4-cylinder SUBARU BOXER engine with Dual Active Valve Control System (DAVCS). 152 hp @ 6,000 rpm 145 lb-ft @ 4,000 rpm	●	●
SI-DRIVE Engine Performance Management System	Subaru Intelligent Drive (SI-DRIVE) enables two distinctively different modes of vehicle performance characteristics by regulating the engine control unit (ECU) and the transmission control unit (TCU) as well as fine-tuning the electronically controlled throttle. Impreza: N/A. Impreza Premium, Impreza Sport and Impreza Limited: Standard.	●	● ^{1,2}
Transmission	Fully synchronized 5-speed manual with Incline Start Assist. Impreza and Impreza Sport 5-door: Standard. Impreza Premium, Impreza Sport Sedan and Impreza Limited: N/A.	●	●
	Lineartronic CVT (Continuously Variable Transmission) with Adaptive Control and Incline Start Assist. Impreza and Impreza Sport 5-door: Optional. Impreza Premium, Impreza Sport Sedan and Impreza Limited: Standard.	○	○ ²
CA Emissions	LEV III / SULEV30	●	●
Traction and Stability			
All-Wheel Drive type	Subaru Symmetrical All-Wheel Drive	●	●
Vehicle Dynamics Control (VDC)	VDC electronic stability control utilizes sensors that constantly monitor wheel speeds, steering angle, brake pressure, vehicle yaw rate and lateral g-forces. If VDC detects a difference between the driver's intended path and the one the vehicle is actually taking, VDC applies braking power and/or reduces engine torque to help correct vehicle path.	●	●
Traction Control System (TCS)	VDC also incorporates an all-wheel, all-speed Traction Control System that senses a loss of traction and applies braking force to the slipping wheel or wheels as necessary to maintain vehicle motion.	●	●
Active Torque Vectoring	Active Torque Vectoring works in tandem with VDC to apply braking power to the inside wheels, resulting in better handling, sharper turn-in, more neutral steering and higher cornering limits when turning.	—	●
Fuel			
Fuel Economy	Manual transmission: city/highway/combined ³	Sedan: 23/31/26 mpg 5-door: 24/31/26 mpg	Sedan: N/A 5-door: 22/30/25 mpg
	Lineartronic CVT: city/highway/combined ³	Sedan: 28/36/32 mpg 5-door: 28/36/31 mpg	Sedan: 27/36/30 mpg 5-door: 27/35/30 mpg
Fuel Requirement	Unleaded gasoline (87 octane)	●	●
Fuel Capacity	13.2 gallons	●	●

2023 Impreza | Specifications

Chassis		Impreza	Impreza Sport
Steering	Electric power-assisted quick ratio rack-and-pinion steering (EPAS). Turning circle: 35.4 feet.	●	●
Suspension	4-wheel independent. Front: MacPherson strut type. Stabilizer bar. Rear: Double-wishbone with lateral link pillow-ball joint bushing. Stabilizer bar. Impreza: Front stabilizer bar only, Impreza Sport: Sport-tuned	●	●
Brakes	4-wheel disc, ventilated front. 4-channel, 4-sensor ABS with Electronic Brake-force Distribution (EBD).	●	●
Brake Discs (front/rear)	Impreza, Impreza Premium, Impreza Limited: 10.9 inches/10.8 inches. Impreza Sport: 11.6 inches/10.8 inches.	●	●
Brake Override System	If both brake and accelerator pedals are pressed simultaneously, the system reduces the operation of the accelerator pedal to help prevent unintentional vehicle acceleration.	●	●
Wheels and Tires			
Wheels	Impreza: 16 x 6.5-inch steel with covers. Impreza Premium: 16 x 6.5-inch aluminum-alloy. Black with machine finish. Impreza Limited: 17 x 7.0-inch aluminum-alloy. Dark gray with machine finish.	●	—
	Impreza Sport: 18 x 7.5-inch aluminum-alloy. Black with machine finish.	—	●
Tires	Impreza and Impreza Premium: 205/55 R16 89V All-season.	●	—
	Impreza Sport: 225/40 R18 88V All-season.	—	●
	Impreza Limited: 205/50 R17 89V All-season.	●	—
Spare Tire	Temporary use T135/80 D16	●	●

● Standard ○ Optional — Not equipped

Some images shown are for illustration purposes only. Specifications and imagery in this brochure are based on the latest product information available at the time of publication. Production models may vary. For the most up-to-date and detailed product information, log on to www.subaru.com. Some equipment shown in photography in this brochure is optional at extra cost. Specific options may be available only in combination with other options. Specific combinations of equipment or features may vary from time to time and by geographic area. Certain accessories and equipment may not be available at the time of publication. Subaru of America, Inc., reserves the right to change or discontinue at any time, without notice, prices, colors, materials, equipment, accessories, specifications, models and packages without incurring any obligation to make the same or similar changes on vehicles previously sold. Colors shown may vary due to reproduction and printing processes.

This brochure was prepared by Subaru of America, Inc. A warranty from Subaru of America, Inc., is available only on cars sold to the first retail purchaser through an authorized Subaru retailer in the continental U.S. or Alaska. Every owner of the car during the warranty period shall be entitled to the benefit of these warranties. Subaru, SUBARU BOXER, Lineartronic, EyeSight, STARLINK and Impreza are registered trademarks of SUBARU CORPORATION. Added Security, Love Promise and More Than a Car Company are registered trademarks of Subaru of America, Inc. Android Auto™ is a trademark of Google LLC. Apple CarPlay® and iPod® are registered trademarks of Apple Inc. Bluetooth® is a registered trademark of Bluetooth SIG, Inc. Harman Kardon® is a registered trademark of Harman International Industries, Inc. HD Radio® is a registered trademark of iBiquity Digital Corporation. HomeLink® and the HomeLink house icon are registered trademarks of Gentex Corporation. SiriusXM®, Traffic® and Travel Link® are registered trademarks of SiriusXM Radio Inc. Rockford Fosgate® is a registered trademark of Rockford Corporation. Sleepypod® is a registered trademark of Launchlab Corp. Thule® is a registered trademark of the Thule Group. TomTom® is a registered trademark of TomTom International BV. Sleepypod® is a registered trademark of LaunchLab Inc. For more information, contact your Subaru retailer, or log on to www.subaru.com.

2023 Impreza | Equipment

Exterior	Impreza	Impreza Premium	Impreza Sport	Impreza Limited
LED Steering Responsive Headlights (SRH) with High Beam Assist (HBA)	—	—	—	●
LED fog lights	□	□	—	●
Halogen fog lights	—	●	—	—
Heated exterior mirrors and windshield wiper de-icer (All-Weather Package)	—	●	●	●
Trunk spoiler (sedan)	—	—	●	—
Body-color side rocker spoilers	—	—	●	—
Power tilt/sliding-glass moonroof (95% UV light-reducing) ^{4,5}	—	○	○	○
Single exhaust outlet with stainless tip (sedan)	—	—	●	—
Raised roof rails in silver finish (5-door)	—	●	—	●
Roof cross bar fixed mounting points (trim levels without roof rails)	●	●	●	—
Seating and Trim				
6-way manually adjustable driver seat. 4-way manually adjustable front-passenger seat.	●	●	●	—
6-way power-adjustable driver seat. 4-way manually adjustable front-passenger seat.	—	○ ⁴	○ ⁴	●
Heated front seats (All-Weather Package)	—	●	●	●
60/40-split flat-folding rear seatback	●	●	●	●
Leather-wrapped steering wheel with silver stitching	—	—	—	●
Leather-wrapped steering wheel with red stitching	—	—	●	—
Leather-wrapped automatic transmission shifter handle	—	—	○ ²	●
Cloth upholstery	●	●	—	—
Sport cloth upholstery	—	—	●	—
Leather-trimmed upholstery	—	—	—	●
Aluminum-alloy pedal covers	—	—	●	—
Convenience Features				
Keyless Access with Push-Button Start	—	○ ⁴	●	●
Dual USB charge ports in center console	—	—	●	●
One-touch lane change turn signals	●	●	●	●
Auto-on/off headlights	—	●	●	●
Driver and front-passenger auto-up/down power windows	●	●	●	●
Adaptive Cruise Control ⁷	● ¹	●	● ^{1,2}	●
3-spoke steering wheel with audio system, Bluetooth® and cruise control or (if equipped) EyeSight adaptive cruise control buttons	●	●	●	●
Automatic transmission manual-mode paddle shifters	—	●	○ ²	●
Manually adjustable tilt/telescoping steering column	●	●	●	●
Cargo Cover (5-door)	□	●	●	●
Audio System				
SUBARU STARLINK 6.5-inch Multimedia with Apple CarPlay® and Android Auto™ integration, high-resolution LCD touchscreen, AM/FM stereo, USB input port, Bluetooth® audio streaming and hands-free phone connectivity, and 3.5-mm auxiliary jack	●	—	—	—
SUBARU STARLINK 6.5-inch Multimedia Plus with Apple CarPlay® and Android Auto™ integration, SiriusXM® Radio ⁶ including 4-month Platinum Plan and SiriusXM® Travel Link ^{®6} trial, high-resolution LCD touchscreen display, AM/FM/CD player, HD Radio® dual USB input ports, Bluetooth® audio streaming and hands-free phone connectivity, and 3.5-mm auxiliary jack	—	●	—	—
SUBARU STARLINK 8.0-inch Multimedia Plus with Apple CarPlay® and Android Auto™ integration, SiriusXM® Radio ⁶ including 4-month Platinum Plan and SiriusXM® Travel Link ^{®6} trial, high-resolution LCD touchscreen, AM/FM/CD player, HD Radio® dual USB input ports, Bluetooth® audio streaming and hands-free phone and text messaging connectivity, 3.5-mm auxiliary jack	—	—	●	●
4 speakers	●	—	—	—
6 speakers	—	●	●	●
Harman Kardon® premium audio system with 8 speakers and a 432-watt-equivalent amplifier	—	—	○ ⁴	○ ⁴

2023 Impreza | Equipment

Climate Control	Impreza	Impreza Premium	Impreza Sport	Impreza Limited
Manually adjustable air conditioning system with air filtration	●	●	●	—
Automatic climate control system with air conditioning and air filtration	—	—	—	●
Instrumentation				
Instrument cluster with analog speedometer, tachometer and “eco” fuel economy gauges, and 2.4-inch LCD display	●	—	—	—
Instrument cluster with analog speedometer and tachometer gauges, and 4.2-inch color LCD display	○ ⁴	●	●	●
Multifunction display with digital trip computer, displaying current and average fuel economy, distance to empty, average vehicle speed, digital clock and ambient temperature	●	●	—	—
6.3-inch color multifunction display with information displays for fuel economy (average, current and distance to empty), heating and air conditioning, audio, weather, vehicle systems operation and more	—	—	●	●
Security				
Keyless entry system with answer-back electronic chirp	●	●	●	●
Anti-theft security system with engine immobilizer	●	●	●	●
Safety				
ACTIVE				
Subaru Symmetrical All-Wheel Drive (AWD)	●	●	●	●
EyeSight Driver Assist Technology ⁷	● ¹	●	● ^{1,2}	●
Blind-Spot Detection with Lane Change Assist and Rear Cross-Traffic Alert ^{4,8}	—	○	○	●
Reverse Automatic Braking (RAB) ⁹	—	—	—	●
Rear-Vision Camera	●	●	●	●
Tire Pressure Monitoring System (TPMS)	●	●	●	●
Daytime Running Lights (DRL)	●	●	●	●
PASSIVE				
STARLINK Safety and Security enabled ¹⁰ : Advanced Automatic Collision Notification, SOS Emergency Assistance, Enhanced Roadside Assistance, Maintenance Notifications, Monthly Vehicle Health Report, Diagnostic Alerts, Remote Engine Start with Climate Control, ¹¹ Remote Lock/Unlock, Concierge Services and more	—	●	●	●
Subaru advanced frontal airbag system with driver and front-passenger airbags (SRS) ¹²	●	●	●	●
Seat-mounted front side-impact airbags (SRS) ¹²	●	●	●	●
Side-curtain airbags protecting front and rear outboard occupants (SRS) ¹²	●	●	●	●
Driver knee airbag (SRS) ¹²	●	●	●	●
Rollover sensor (SRS) ¹²	●	●	●	●
Whiplash-reducing front seats with height- and tilt-adjustable head restraints	●	●	●	●
Three individual rear-seat head restraints	●	●	●	●
Height-adjustable 3-point front seatbelts with pretensioners and load limiters. 3-point seatbelts at all rear seating positions.	●	●	●	●
LATCH system: Lower Anchors and Tethers for CHildren	●	●	●	●
Optional Equipment				
Lineartronic CVT (Continuously Variable Transmission) • EyeSight Driver Assist Technology ⁷	○	●	○ ²	●
Blind-Spot Detection and Rear Cross-Traffic Alert ⁸ • Keyless Access with Push-Button Start • 6-way power driver seat • Power moonroof	—	○	—	—
Harman Kardon® premium audio system • EyeSight ^{2,7} • Blind-Spot Detection with Rear Cross-Traffic Alert ⁸ • Power moonroof • 6-way power driver seat • Lineartronic CVT (Continuously Variable Transmission) ²	—	—	○	—
SUBARU STARLINK 8.0-inch Multimedia Navigation • Harman Kardon® premium audio system • Power moonroof	—	—	—	○
EQUIPMENT CONTENTS				
SUBARU STARLINK 8.0-inch Multimedia Navigation System: Voice-activated 8.0-inch multi-touch-gesture high-resolution GPS navigation system with Apple CarPlay® and Android Auto™ integration, SiriusXM® Radio including 4-month Platinum Plan, ⁶ SiriusXM® Traffic ^{®13} trial and SiriusXM® Travel Link ^{®13} trial, high-resolution LCD touchscreen, AM/FM/CD player, HD Radio®, dual USB input ports, Bluetooth® audio streaming and hands-free phone and text messaging connectivity, and 3.5-mm auxiliary jack				
Harman Kardon® premium audio system: 8 Harman Kardon® speakers and a 432-watt-equivalent amplifier				
EyeSight Driver Assist Technology⁷: Pre-Collision Braking System, Pre-Collision Throttle Management, Lane Departure and Sway Warning with Lane Keep Assist, Adaptive Cruise Control				

● Standard ○ Optional — Not equipped □ Available retailer-installed accessory

Impreza | Accessories



Cargo Net. Neatly holds cargo and prevents it from sliding while the vehicle is in motion.



Side Window Deflectors Keep inclement weather out while allowing fresh air in. Specifically designed to complement the appearance and shape of the vehicle door, Side Window Deflectors are extensively tested to help reduce wind noise and vibration, as well as evaluated for water intrusion.



Body Side Molding. Attractive, color-matched moldings coordinate with the styling of the vehicle while helping to protect doors from unsightly dings.

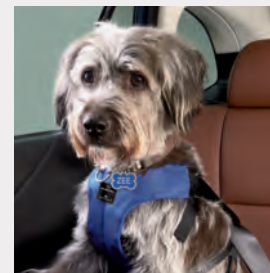


Auto-Dimming Exterior Mirrors with Approach Light. Designed to enhance nighttime driving safety by working in unison with the Auto-Dimming (Interior) Mirror to reduce headlight glare. Upon approaching the vehicle or unlocking your doors with the keyless entry system, LED lights in each exterior mirror illuminate the ground next to and towards the rear of the vehicle.

Requires Auto-Dimming (Interior) Mirror.

 Subaru Loves Pets™

Introducing Genuine Subaru Pet-friendly Accessories.



Pet Harness. Keep your dog safe with this crash-tested Pet Harness, certified by the Center for Pet Safety for dogs from 18 to 90 pounds. Manufactured by Sleepypod® in signature Subaru blue, the Pet Harness can also be used for walking your dog. Available in S, M, L, or XL.



Seat Cover – Rear. Keep your back seat tidy with this custom-fitted seat cover, made with water-resistant heavy-duty materials.



Console Lid Protector. Protects the center console lid surface from nail scratches and puncture holes, while providing a comfortable armrest for front-seat passengers.



License Plate Frame – Pet Lover. Share your love for your furry, scaly or feathered friends with our Pet Lover license plate frame. Available in either matte black or polished stainless steel.



Pet Carrier and Mobile Pet Bed. This multi-functional ultra-plush pet bed also doubles as a carrier to safely transport your pet in comfort. Manufactured by Sleepypod®, this accessory is crash-tested and certified by the Center for Pet Safety.



Pet Ramp. Give your canine companion easy access to your Subaru. Manufactured by 4pets®, the sturdy, foldable Pet Ramp supports up to 220 lbs. and is especially suited for senior dogs and those with mobility issues, thanks to its non-slip design and high-grip ridged surface.

5-door trim levels only.



Pet Travel Bowl – Pet Lover. This portable container makes it easy to bring your pet's food and water on the go. Manufactured by Sleepypod®, the Pet Travel Bowl includes a base compartment for ice to help keep your pet's water cool and wet food fresh.

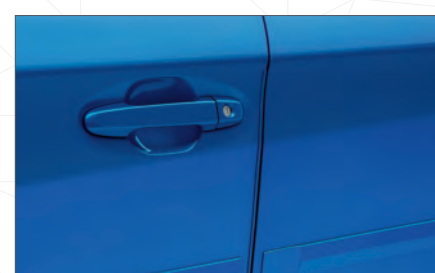


Collapsible Pet Kennel – Medium. Portable, compact and lightweight, the Collapsible Pet Kennel, manufactured by Thule®, mounts in minutes to the four lower mounting hooks, making it an easy-to-use alternative to cumbersome metal carriers.

5-door trim levels only.



Cargo Tray. Removable tray helps to protect the cargo area from stains, dirt and other messes while providing a surface that helps reduce the shifting of cargo while driving.



Door Edge Guards. Help protect your door edges from dings and chips with custom-fit, body color-matched, stainless steel Door Edge Guards. They help preserve the appearance of your Subaru while seamlessly blending into the door design.



Rear Seatback Protector. Provides additional protection to the rear seatbacks when lowering the seats to transport larger cargo. Use in conjunction with the Cargo Tray for optimal protection.

5-door trim levels only.



Auto-Dimming Mirror with Compass and HomeLink®. This upgraded Auto-Dimming Mirror with an 8-point digital compass detects glare and darkens automatically to protect your vision while featuring an 8-point digital compass. HomeLink® can be programmed to operate most garage doors, security gates and more. This system can also provide you with the last status of your garage door (open or closed) if programmed to a compatible opener featuring two-way communication.



Side Sill Plates. Metallic finished panels add some protection and dress up the sill plates of the Impreza.

Set of four.



Splash Guards. Helps protect vehicle paint finish from stones and road grime. Engineered to help reduce wind noise and aerodynamic drag. Splash Guards undergo a series of durability tests to withstand the elements.

Set of four.



LED Upgrade – Map and Dome Lights. Enhance the illumination of your standard interior map and dome lights with brighter, whiter and crisper LED lighting. This accessory is developed and tested to vigorous Subaru standards for seamless operation.



All-Weather Floor Liners. Custom-fitted, high wall design floor liners help protect the vehicle carpet from accidental spills, snow, sand, mud, dirt and moisture. All-Weather Floor Liners are precision-engineered to ensure a precise fit and withstand a series of functional and durability evaluations to help ensure the liners will not warp, fade or tear.

Not intended for use on top of Carpeted Floor Mats.



Let nothing hold you back.

When your passion is even bigger than your cargo area, Genuine Subaru active lifestyle accessories manufactured by Thule® are a smart way to securely transport larger gear like bikes, skis, snowboards, kayaks, paddleboards and more. Each carrier safely attaches to your roof rack, and the available Thule® Portable Step can help you easily access everything.



Thule® Paddleboard Carrier



Thule® Bike Carrier – Roof-Mounted



Thule® Heavy-Duty Roof Cargo Basket

2023 Impreza | Owner Benefits

Protecting Your Investment

Once you're part of our family, we'll be there for you. Every Subaru comes with 24-hour roadside assistance for 3 years or 36,000 miles. If you have trouble on the road, a tow to the nearest Subaru retailer and other services are just a phone call away. And to protect you over the long haul, we offer Added Security® (ask for it by name). It includes extended service agreements and maintenance plans to help protect your car for up to 10 years or 100,000 miles. They're the only mechanical and maintenance plans backed by Subaru, and because we've been backing them for more than 30 years, they're agreements you can trust. Your retailer has full coverage details.



More Than a Car Company®



Love means being more than a car company. The **Subaru Love Promise®** is our vision to show love and respect to all people at every interaction with Subaru. Together with our retailers, we are dedicated to making the world a better place.

Warranties

New Car Limited Warranty 3 years or 36,000 miles, whichever comes first.

Powertrain Limited Warranty 5 years or 60,000 miles, whichever comes first.

Wear Item Limited Warranty 3 years or 36,000 miles, whichever comes first. Repairs to the following items will also be covered under Wear Item Limited Warranty:

- Brake Pads
- Wiper Blades
- Clutch Linings
- Transmitter Batteries

Rust Perforation Limited Warranty 5 years, unlimited mileage.

24-hour Roadside Assistance 3 years or 36,000 miles, whichever comes first.

1 Requires Lineartronic CVT. 2 Standard on Sport sedan trim levels. See your retailer for details. 3 2023 EPA fuel economy estimates. Actual mileage may vary. 4 Available only with other features. See Optional Equipment listing. 5 The glass information listed represents calculated reference values, and may not represent actual values determined by testing. 6 All SiriusXM services require a subscription, sold separately by SiriusXM after the trial period. Your SiriusXM service will automatically stop at the end of your trial unless you decide to subscribe. If you decide to continue service, the subscription plan chosen will automatically renew and be charged according to your chosen payment method at the then-current rates. Fees and taxes apply. See the SiriusXM Customer Agreement & Privacy Policy at www.siriusxm.com for full terms and how to cancel, which includes online methods or calling 1-866-635-2349. Available in the 48 contiguous United States, D.C., and Puerto Rico (with coverage limits and capable receiver). Visit http://www.siriusxm.com/FAQS for most current service area information. Availability of some services and features is subject to device capabilities and location restrictions. All fees, content and features are subject to change. SiriusXM, Pandora and all related logos are trademarks of Sirius XM Radio Inc. and its respective subsidiaries. 7 EyeSight is a driver assist technology, which may not operate optimally under all driving conditions. The driver is always responsible for safe and attentive driving. System effectiveness depends on many factors such as vehicle maintenance, weather and road conditions. Pre-Collision Braking System is designed to provide automatic braking that either prevents a collision or reduces the severity of a frontal impact. Pre-Collision Throttle Management is designed to reduce acceleration and minimize the severity of certain frontal impacts. Adaptive Cruise Control and Brake Light Recognition are designed to assist the driver and are not substitutes for safe and attentive driving. Lane Departure and Sway Warning and Lane Keep Assist operate only when the lane markings are visible and system effectiveness depends on many factors. See your Owner's Manual for complete details on system operation and limitations. 8 Blind-Spot Detection, Lane Change Assist and Rear Cross-Traffic Alert are systems designed to assist the driver by monitoring the rear and side areas of the vehicle during a lane change or reversing and are not a substitute for safe and attentive driving. 9 The Reverse Automatic Braking System is not a substitute for safe and attentive driving. System effectiveness depends on many factors, such as vehicle maintenance, weather and road conditions. Always exercise caution and use vehicle mirrors and the Rear-Vision Camera when backing up. See your Owner's Manual for complete details on system operation and limitations. 10 Activation with subscription required. Includes a 3-year trial subscription to Safety Plus services and a 6-month trial subscription to Safety and Security Plus services. The Concierge plan can be purchased annually or monthly. A credit card on file will be required for specific packages and for renewal purposes. Not available in all states. See your retailer for details. 11 Requires Keyless Access with Push-Button Start and Lineartronic CVT. Climate Control on Limited trim levels only. Not available in all states. See your retailer for details. 12 The Supplemental Restraint System (SRS) (airbags) affords the driver and the front and rear outboard passengers additional protection in moderate to severe frontal and side-impact collisions. This system provides supplemental protection only, and seatbelts must be worn in order to avoid injuries to out-of-position occupants upon airbag deployment and to provide the best combined protection in a serious accident. Children should always be properly restrained in the rear seat. 13 Activation and required subscription sold separately. Includes 3-year trial subscription. See your retailer for details. 14 Based on Experian Automotive vehicles in operation vs. total new registrations for MY2012-2021 as of December 2021.

For additional Subaru resources, including owner's manuals, maintenance schedules, roadside assistance and more, log on to www.mysubaru.com

Responsible. Reliable. Ready to join the family.

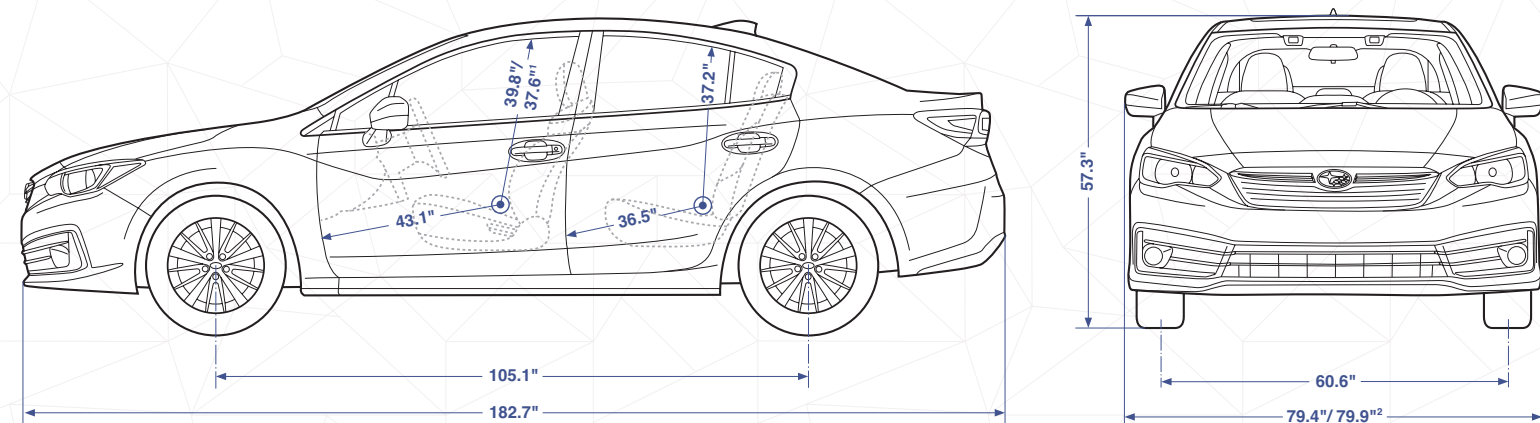
At Subaru, we're committed to building a lasting, rewarding relationship with you and the world we share. We start by building our vehicles to last. It's why 94% of Subaru Impreza vehicles sold in the last 10 years are still on the road today.¹⁴ We also share your desire for a cleaner, greener world. In 2004, Subaru of Indiana Automotive, Inc. (SIA) became the first manufacturing facility in the U.S. to reach zero-landfill status—nothing from its manufacturing efforts ever goes into a landfill. Subaru is also headquartered in a zero-landfill office in Camden, N.J.

000475 038000 102000 157000 248000

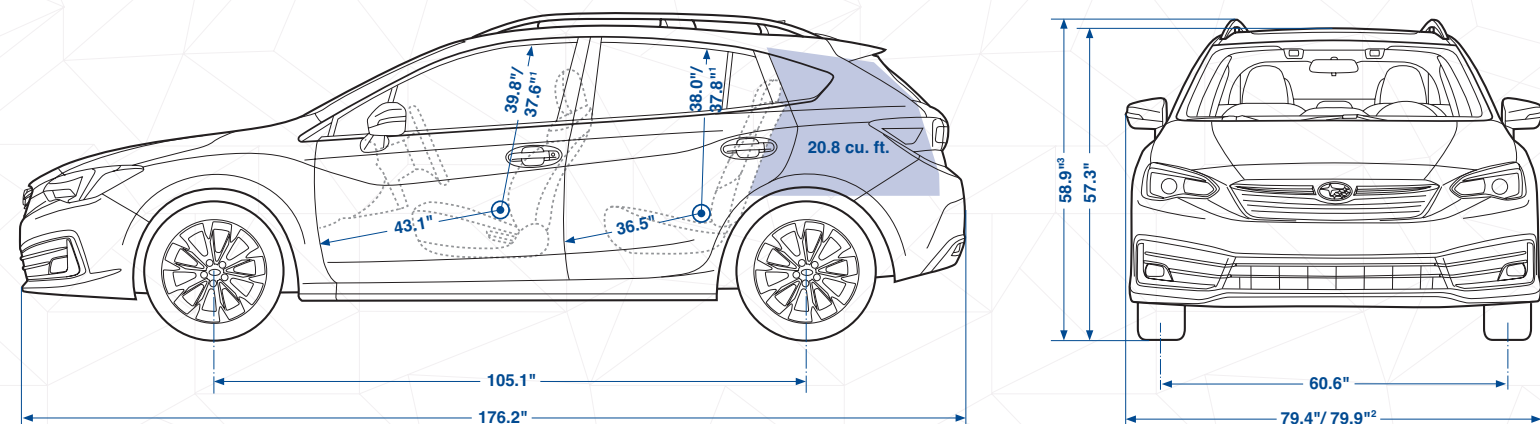


2023 Impreza | Dimensions

Impreza Sedan



Impreza 5-Door



Length/Width/Height

Sedan: 182.7 inches/70.0 inches (79.4/79.9² including mirrors)/57.3 inches
5-door: 176.2 inches/70.0 inches (79.4/79.9² including mirrors)/57.3 inches (58.9³)

Wheelbase 105.1 inches

Track (front/rear) 60.6 inches/60.8 inches

Base curb weight (manual/automatic)
Sedan
Impreza: 2,976 lbs./3,047 lbs.
Impreza Premium: N/A/3,084 lbs.
Impreza Sport: N/A/3,142 lbs.

5-door
Impreza: 2,989 lbs./3,058 lbs.
Impreza Premium: N/A/3,104 lbs.
Impreza Sport: 3,084 lbs./3,146 lbs.
Impreza Limited: N/A/3,150 lbs.

Headroom (front/rear)

Sedan: 39.8 inches/37.2 inches (with moonroof: 37.6 inches/37.2 inches)
5-door: 39.8 inches/38.0 inches (with moonroof: 37.6 inches/37.8 inches)

Legroom (front/rear) 43.1 inches/36.5 inches

Shoulder room (front/rear) 56.7 inches/55.6 inches

Hip room (front/rear) 55.1 inches/55.2 inches

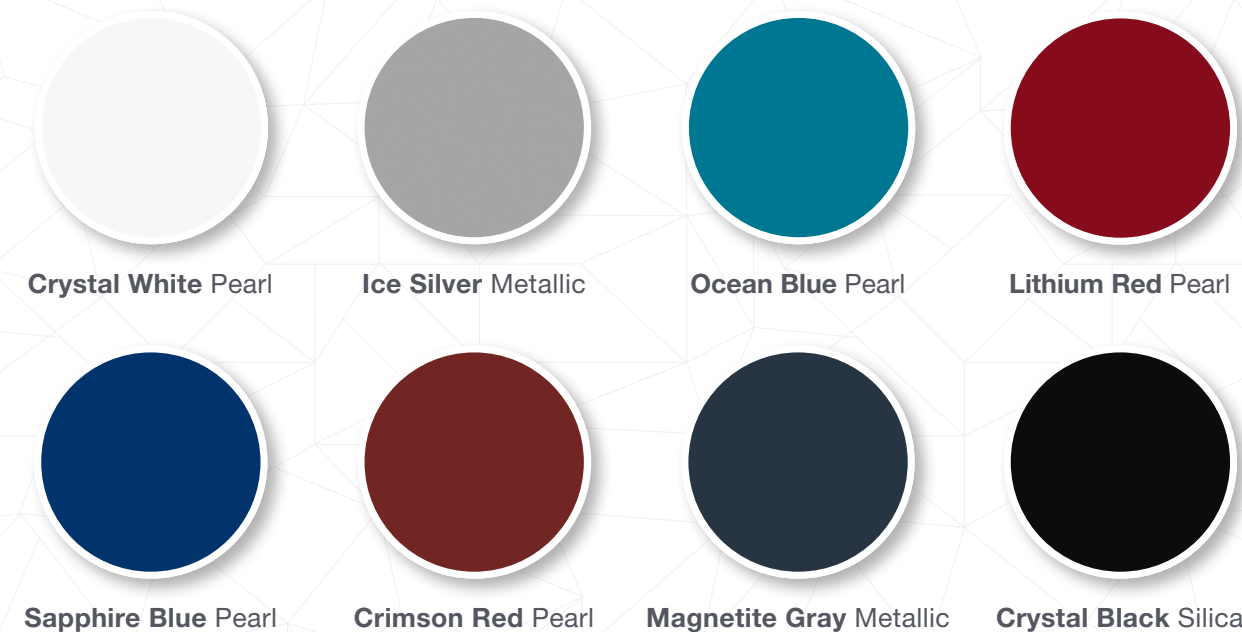
Passenger volume
Sedan: 99.8 cubic feet (with moonroof: 96.8 cubic feet)
5-door: 100.9 cubic feet (with moonroof: 97.5 cubic feet)

Cargo volume
Sedan: 12.3 cubic feet
5-door: 20.8 cubic feet (55.3 cubic feet with rear seat lowered)

1 With available moonroof. Moonroof availability varies by trim level.
 2 Mirrors with integrated turn signals.
 3 Including roof rails.

2023 Impreza | Colors

Paint



Upholstery



Color Combinations

	Impreza – Impreza Premium	Impreza Sport	Impreza Limited
Crystal White Pearl	BC or IC	BSC	BL or IL
Ice Silver Metallic	BC	BSC	BL
Ocean Blue Pearl	BC	BSC	BL
Lithium Red Pearl	–	BSC	–
Sapphire Blue Pearl	IC	BSC	IL
Crimson Red Pearl	IC	–	IL
Magnetite Gray Metallic	BC	BSC	BL
Crystal Black Silica	BC or IC	BSC	BL or IL

– Not available



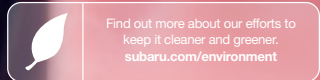
IMPREZA

SPORT

These brochures were printed with vegetable-based inks and produced using a "Green Printing Process." The Forest Stewardship Council® (FSC®) is an international organization that brings people together to find solutions which promote responsible stewardship of the world's forests and environments.

By producing these brochures in a green way rather than by traditional methods, we saved 15 trees preserved for the future; 4,000 gallons of wastewater flow saved; 60 lbs solid waste not generated; 9,0000 lbs net greenhouse gases prevented; 7,000,000 BTUs energy not consumed. Calculations provided by Environmental Paper Network. FSC® is not responsible for any calculations on saving resources by choosing this paper.

This brochure is printed in the U.S.A. on 10% recycled paper. ©2022 Subaru of America, Inc. 23.IMPSRB.525 (DSGN-P279, 25K, 7/22, KSL)



Love.® It's what makes Subaru, Subaru.

